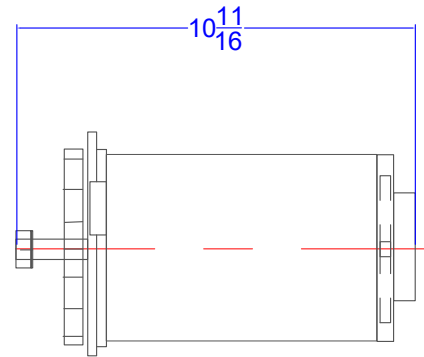


GENERATOR: POWER-MITE "110"
 WATTS: 3500 PEAK, 110 VOLTS A.C. @ 3600 RPM, 2500 WATTS CONTINUOUS
 WITH 6 FT. OF SAFETY CONNECTED HEAVY DUTY LEAD CABLE
 W/LOCKWASHER AND NUT
 MULTIPLE PULLEY SIZES AVAILABLE



REQ'D	ITEM	PART NO.	DESCRIPTION
TOLERANCES (EXCEPT AS ID'ED) UNLESS OTHERWISE SPECIFIED DIMENSIONS ARE IN INCHES TOLERANCES ARE: DECIMALS AMOUS X.X = +/- .030 .0+/- .2" X.XX = +/- .015 .00+/- .5" X.XXX = +/- .005			
Fabco Power Model#: POWER MITE "110"		SCALE	1:4
		MATERIAL	MATERIAL SIZE
DRAWN BY		DATE	09/17/2018
CHECKED BY		SHEET	1 OF 1
PART NAME: BELT DRIVEN GENERATOR		DRAWING NO.	572256
REV.		1	